



STEP-HEAR™ Base (SH-200) (SH-200-EBP)

User Guide

English



NAVIGATION AND INFORMATION SYSTEM

CONTENTS

CONTENTS	1
INTRODUCTION	2
Unpacking the Base	3
DESCRIPTION	4
Base with Mains Power and Back up Batteries	4
Base with External Battery Pack	6
INSTALLATION	8
Charging the Base Unit (SH-200)	8
Charging the SH-200-EBP	8
Wall Mounting	9
USING THE BASE	11
Setting Standby On/Off	11
Setting the Remote Range	11
Setting Recording On/Off	11
Recording an Announcement	12
Recording an Announcement via an External Audio Unit	13
Setting the Volume Control	13
TROUBLESHOOTING	14
SAFETY INFORMATION	14
GUARANTEE (EU)	15
GUARANTEE (USA)	17
RECYCLING DIRECTIVES	18

INTRODUCTION

Congratulations on purchasing your STEP-HEAR™ Base. The STEP-HEAR™ system consists of two units: a weather resistant outdoor transmitter/base and a small receiver/activator. Once installed, the base sends out a continuous signal. When the activator, held by the user, is within the range of the base, it vibrates and beeps. Pressing a button on the activator triggers a pre-recorded voice announcement from the base. This provides information that helps users find their destination.

The base also has a feature that allows volume to be increased or decreased automatically depending on the level of the ambient noise.

It is important that you read the instructions below in order to use your STEP-HEAR™ system to its full potential. Keep this user guide in a safe place for future reference.

This guide explains how to use the following:

STEP-HEAR™ Base (SH-200)

**STEP-HEAR™ Base with an External Battery Pack
H-200-EBP)**

INTRODUCTION

Unpacking the Base

On unpacking the activator, you will find the following contents in the box:

- 1 Base Unit with power cable
- 1 Wall Mount Bracket with screwdriver and screws
- 1 User Guide
- 1 External Battery Pack (SH-200-EBP only)

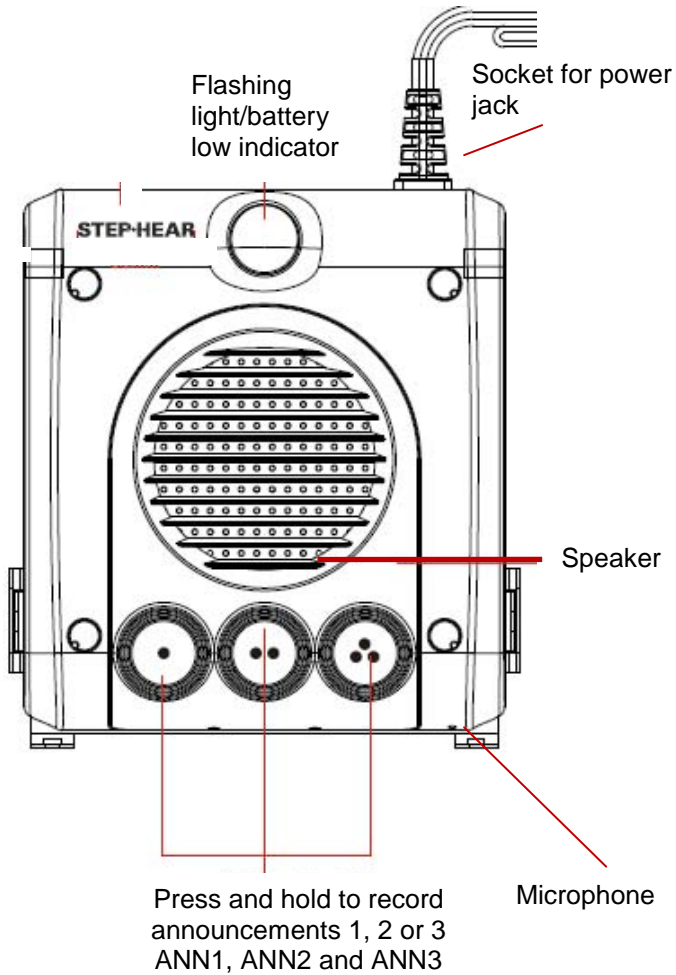


For further information

Contact www.M2Cshop.com -0208 829 9130

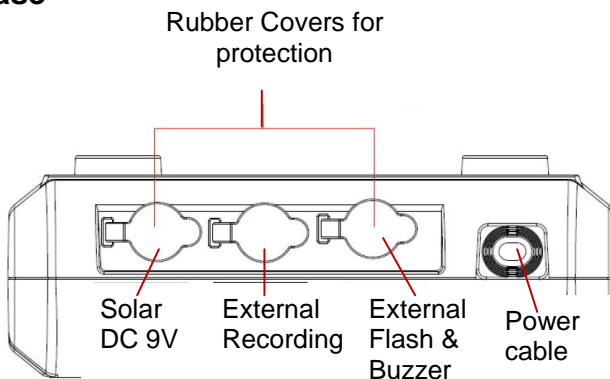
DESCRIPTION

Base with Mains Power and Back up Batteries (SH-200)

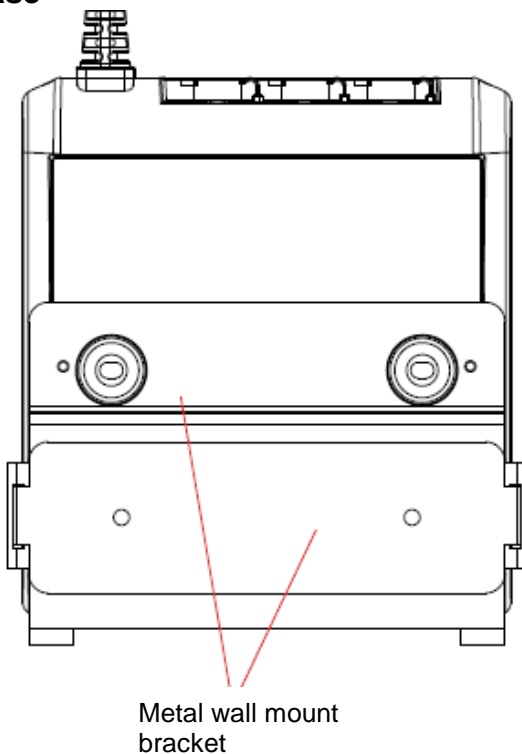


DESCRIPTION

Top of Base

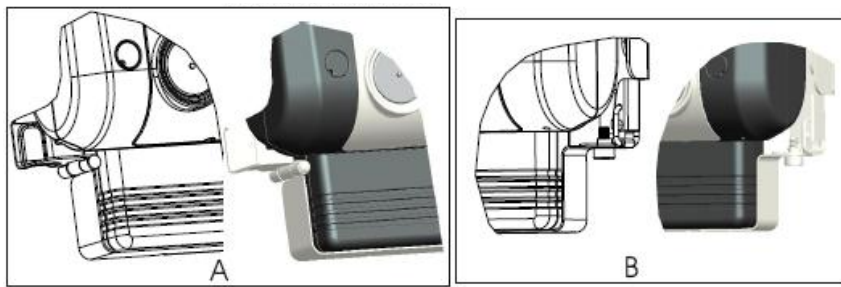
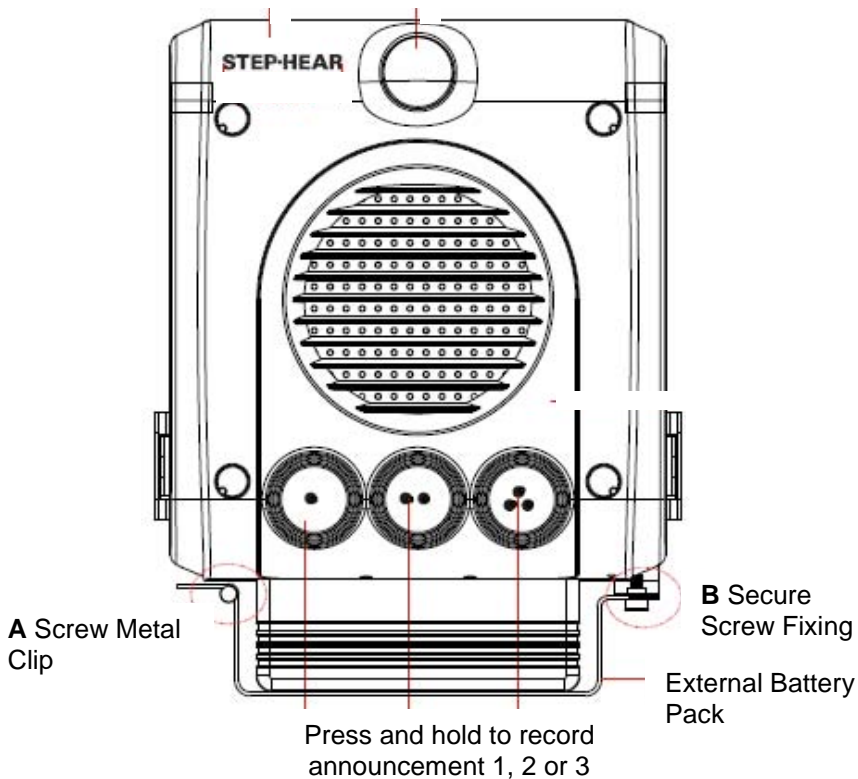


Rear of Base

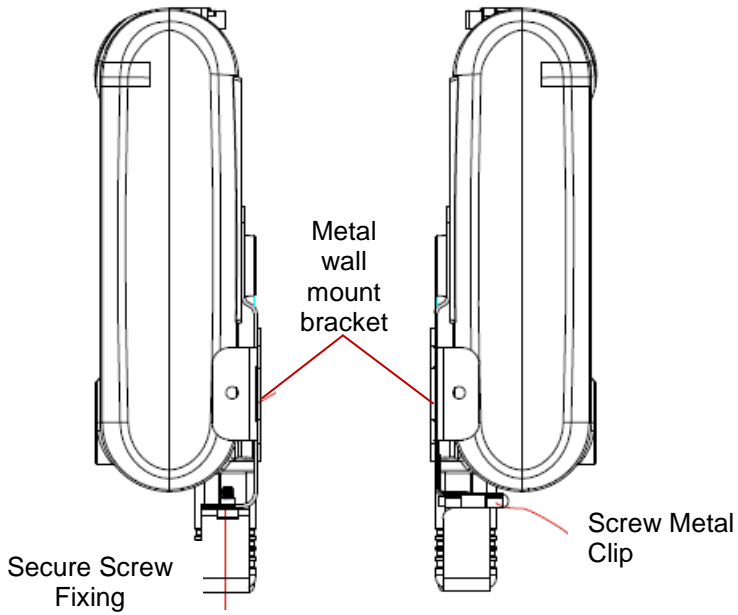


DESCRIPTION

Base with External Battery Pack (SH-200-EBP)



DESCRIPTION



INSTALLATION

Charging the Base Unit (SH-200)

Plug the power cord into an electric outlet. The Red LED will be lit whilst the 4 AA 2100mAH NiMH rechargeable battery pack (supplied and pre-installed) is being charged. When charging is complete, the green LED will light up.

To open the unit in order to gain access to the battery compartment, the four screw caps must be taken out first. To retain the weather resistance of the unit, be sure to replace the four screw caps.

The batteries can last up to 8 hours during a mains power failure. Batteries should be used only for backup. The batteries will recharge automatically when mains power is restored.



Charging the External Battery Pack (SH-200-EBP)

The SH200 EBP has a rechargeable battery pack that is charged externally (as opposed to the internal battery packs). The EBP is intended for use where there is no power connection available. On average, the EBP will enable the unit to work for 10-12 days (depending on the amount of use), after which the battery is replaced with a fully charged one while the empty battery pack is recharged.

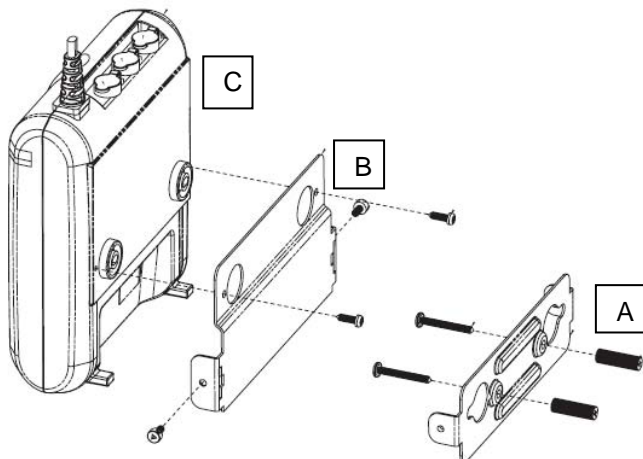
The EBP is recharged by using an external charging rack. This enables you to charge batteries in the charging rack where a power connection is available.

INSTALLATION

Wall Mounting – SH-200 Mains Power

The SH-200 and SH-200-EBP are both suitable for wall mounting.

Please note: Use the supplied screwdriver. It is the only type of screwdriver that will work with the supplied screws.

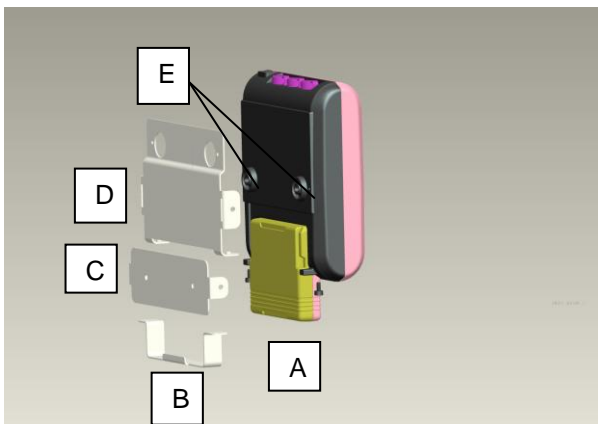


- 1) Attach the wall mounting plate (A) to the wall in your chosen location using two screws and wall plugs (supplied).
- 2) Screw the fixing plate (B) onto the base (C).
- 3) Click the base (with the fixing plate now attached) into the wall mounting plate. Insert two screws to attach. It should fit in a very snug and secure manner as shown below.



INSTALLATION

Wall Mounting – SH-200-EBP External Battery Pack



- 1) Insert the External Battery Pack (A) into the slot at the bottom of the base unit.
- 2) Screw the EBP fixing plate (B) into place with the security screws. Ensure the EBP is secure.
- 3) Attach the wall mounting plate (C) to the wall in your chosen location using two screws (supplied).
- 4) Screw the fixing plate (D) onto the base (E).
- 5) Click the base (with the fixing plate attached and EBP in place) into the wall mounting plate. Insert two screws to attach (B) to (A) It should fit in a very snug and secure manner as shown below.



USING THE BASE

Setting Standby On/Off

If you wish to set the base to standby i.e. it is not going to be used for a long period of time, press and hold buttons 1 and 3 together for 2 seconds. The white LED will flash three times. To turn the power back on and continue RF transmission, simply press any key.

Setting the Remote Range

There are 3 different operating ranges in which the activator can pick up a signal. These ranges, under ideal conditions are as follows:

Short – 3-5m
Medium – 5-7m
Long – 7-9m

The default setting is medium – 5-7m. To enter the range setting mode, press and hold buttons 1 and 2 together for 2 seconds. Then give a short press to one of the 3 buttons to select the actual range required:

Button 1 – 3-5m
Button 2 – 5-7m
Button 3 – 7-9m:

Press and hold buttons 1 and 2 to exit range setting mode.

Please note: These ranges are approximate as ranges can vary due to factors such as ambient temperature, humidity, line of sight between the base and activator antennae.

Setting Recording On/Off

To enter recording mode, press and hold buttons 2 and 3 together for 2 seconds. The white LED will flash once when recording mode is on and twice when recording mode is off.

USING THE BASE

Recording an Announcement

Press and hold **ANN1**, **ANN2** or **ANN3**. Speak clearly when you hear a beep tone.

Release the **ANN1**, **ANN2**, or **ANN3** button, the base unit will play the recorded announcement automatically. You can press **ANN1**, **ANN2**, or **ANN3** button at any time to listen to the announcement. The super white LED will flash during playback.

In total, there is 10 minutes of recording time which can be split however you like across **ANN1**, **ANN2** and **ANN3** e.g. **ANN1** could have an announcement of 1.5 minutes, **ANN2** could have an announcement of 4.5 minutes, **ANN3** can then have an announcement for the balance of remaining time which is 4 minutes.

Please note the total recording time is shared by **ANN1**, **ANN2** and **ANN3**.

If you wish to change any announcement you must re-record all three to avoid exceeding the total 10 minutes recording time available.

IMPORTANT: Before re-recording the announcements, please be sure to delete the previously recorded announcements. To delete the announcements, press and hold the **ANN1** button and release it immediately you hear a beep.

Repeat this step for **ANN2** and then **ANN3**.

Operators need to understand that the quality of the recordings, the contents of the information provided and the locations of installation of the base units are critical to the successful use of the STEP-HEAR™ system.

- 1) Record announcements in a quiet environment with no background noise or sound.
- 2) Carefully decide on a number of strategic installation points of the base units at chosen areas.
- 3) The announcements need to be relevant and suitable to the area regardless of which direction one may approach, especially if direction is provided. Do not use: “left”, “right” but announce the name of the location: “elevator”, “restrooms” etc.

Please Note: Base units should be installed at least 20 metres apart from each other.

Please set recording mode to **OFF** after you have recorded your announcement. To do this, press and hold buttons 2 and 3 together for 2 seconds. The white LED will flash twice when recording mode is off.

Step Hear is not responsible for the content of voice announcements or any other recordings played back from the Step Hear bases. Any content recorded onto the bases are the responsibility of the base/service provider.

USING THE BASE

Recording an Announcement via an external audio unit

Connect the audio cable to the external audio socket found on the top of the base.

Hold and press buttons 2&3 for 2 seconds to activate recording.

Press and hold **ANN1**, **ANN2** or **ANN3** and turn on your audio unit when you hear a beep tone to start recording the sound from the audio unit e.g. an ipod or iphone.

Release the **ANN1**, **ANN2**, or **ANN3 button**, the base unit will play the recorded announcement automatically. You can press **ANN1**, **ANN2**, or **ANN3** button at any time to listen to the announcement. The super white LED will flash during playback.

Please Note: Set recording mode to OFF after you have recorded your announcement. To do this, press and hold buttons 2 and 3 together for 2 seconds. The white LED will flash twice when recording mode is off.

Setting the Volume Control

The playback volume will adjust automatically depending on the level of noise in the surrounding environment. In a noisy environment, the volume level will set itself much higher than in a quieter environment. However, if these default settings are not suitable, the volume can be altered manually as shown below:

When an announcement is playing in a noisy environment, press button 1 for playback volume setting. There are 3 volume levels available. Press button 1 once - the volume level is 1, press it twice - the volume level is 2, press it three times-the volume level is 3. If you press button 1 again, the volume level will return to 1. To verify the current volume setting, play the voice announcement immediately.

When an announcement is playing in a quiet environment, press button 3 for playback volume setting. There are 3 volume levels available. The operation is the same as for volume level setting in a noisy environment.

TROUBLESHOOTING

No Announcements Playback

- Ensure the base is charged
- Ensure the base is switched on
- Ensure an announcement has been recorded

Unable to Record an Announcement

- Ensure recording setting is set to ON
- Ensure base is charged

No Vibration and/or Beep when Activator in Range of Base

- Change range settings
- Ensure base is charged

SAFETY INFORMATION

General

Only use the power supply included with the product.

Do not open the unit. Contact the helpline for all repairs.

Cleaning

Clean the base with a soft cloth. Never use polishes or cleaning agents - they could damage the finish or the electrics inside.

Environmental

Always ensure there is a free flow of air over the surfaces of the base.

Do not expose your product to fire or other hazardous conditions.

RECYCLING DIRECTIVES

The WEEE (Waste Electrical and Electronic Equipment) has been put in place for the products at the end of their useful life are recycled in the best way.

When this product is finished with, please do not put it in your domestic waste bin.

Please use one of the following disposal options:

- Remove the batteries and deposit them in an appropriate WEEE skip.

Deposit the product in an appropriate WEEE skip.

- Or, hand the old product to the retailer. If you purchase a new one, they should accept it.

Thus if you respect these instructions you ensure human health and environmental protection.



STEP•HEAR
G U I D I N G Y O U R W A Y

UGSH-200v01
UGSH-200-EBPv01